

Pulsation Dampener



To Purchase:

- 800-990-7867
- sales@yamadapump.com
- Find My Rep

More Information:

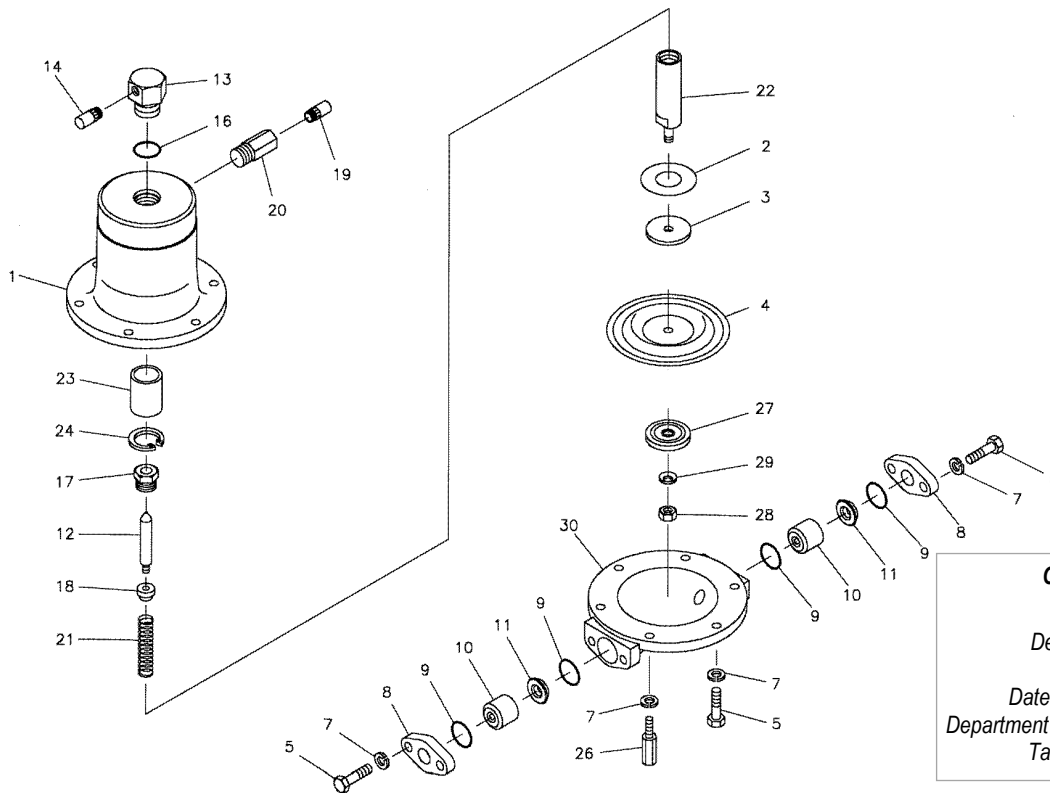
- YouTube: @yamadapump
- yamadapump.com
- Data Sheets | CAD Drawings | Manuals Literature | BOM | Performance Curves

Trial Program



REF. NO.	PART NO.	DESCRIPTION	QTY.	REORDER
1	710674	AIR CHAMBER	1	
2	771316	CUSHION	1	
3	709512	CENTER DISK	1	
4	771372	DIAPHRAGM	1	
5	621149	BOLT	6	
7	631936	WAVE WASHER	10	
8	714087	FLANGE	2	
9	643018	O RING	4	
10	710637	BALL GUIDE	2	
11	708913	VALVE SEAT	2	
12	795078	VALVE	1	
13	716405	VALVE SEAT	1	
14	802569	SILENCER ASSY	1	
16	640017	O RING	1	

REF. NO.	PART NO.	DESCRIPTION	QTY.	REORDER
17	710717	NUT	1	
18	710719	NUT	1	
19	681170	SILENCER ASSY	1	
20	714085	UNION	1	
21	710720	SPRING	1	
22	710757	CENTER ROD	1	
23	773092	THROAT BEARING	1	
24	630807	STOP RING	1	
26	710759	STUD	4	
27	708506	CENTER DISK	1	
28	681849	NUT	1	
29	684916	CONED DISK SPRING WASH	1	
30	710660	OUT CHAMBER	1	



Customer Notes

Model #: _____

Description: _____

Serial #: _____

Date Installed: _____

Department Location: _____

Tag/Project: _____