

DP-40 Specifications

Xtreme Duty Pro XDP® Heavy Duty

Port Dimensions (97 GPM Max.)

Intake & discharge connection:

Aluminum (ADC-12)	1-1/2" ANSI B16.5 #150 (with tapped 1-1/2" Female NPT)
Polypropylene (PPG)	1-1/2" ANSI B16.5 #150
Stainless Steel (316)	1-1/2" ANSI B16.5 #150 or 1-1/2" Female NPT
Cast Iron	1-1/2" Female NPT
Air inlet (incl. ball valve):	1/4" Female NPT
Air exhaust (incl. silencer):	3/4" Female NPT

Maximum Liquid Temperature*

Diaphragm Material	Temperature
Buna N	180°F (82°C)
Neoprene	180°F (82°C)
Santoprene® (TPO)	180°F (82°C)
EPDM	212°F (100°C)
PTFE	212°F (100°C)
Hytre® (TPEE)	248°F (120°C)
Viton® fluoroelastomer	248°F (120°C)

*The maximum liquid temperature for metal pumps is determined by the elastomer (diaphragm material). Polypropylene pumps have a maximum liquid temperature of 180°F (82°C) regardless of diaphragm material.

Air Supply Pressure (All Models)

20–125 PSI (1.4–8.7 kgf/cm²)

Discharge Volume Per Cycle

Rubber diaphragm: 0.607 gallons
PTFE diaphragm: 0.237 gallons

Maximum Cycles Per Minute

Rubber diaphragm: 370
PTFE diaphragms: 270

Maximum Size Solid

9/32" (7 mm)

Maximum Dry Suction Lift

Rubber fitted pump capability: 16'
PTFE fitted pump capability: 9'

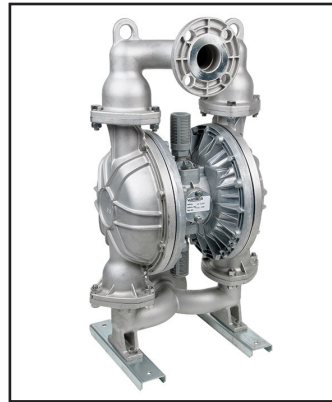
Air Motor

Aluminum air motor standard on all pumps.

Valve Type

Ball

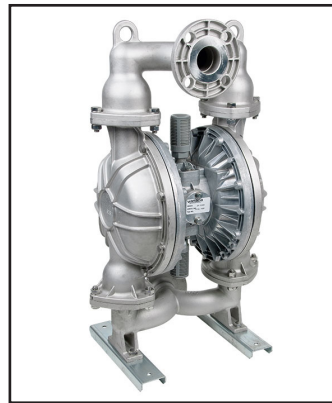
Notes: Santoprene® fitted pumps include EPDM wetted o-rings.



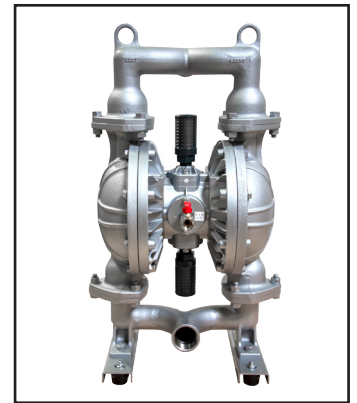
Aluminum
Dimensions: 16.20"W x 27.92"H
Net Wt.: 57.3 lbs. (26 kg)
Shipping Wt.: 68 lbs.



Polypropylene
NPT Dimensions: 15.83"W x 29.60"H
Net Wt.: 53 lbs. (24 kg)
Shipping Wt.: 63 lbs.

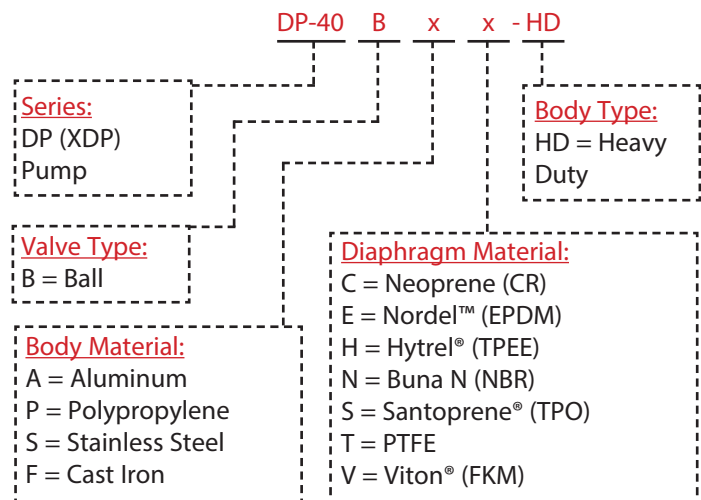


Stainless Steel
FLG Dimensions: 16.20"W x 27.74"H
NPT Dimensions: 16.20"W x 27.66"H
Net Wt.: 91.1 lbs. (41.3 kg)
Shipping Wt.: 101 lbs.



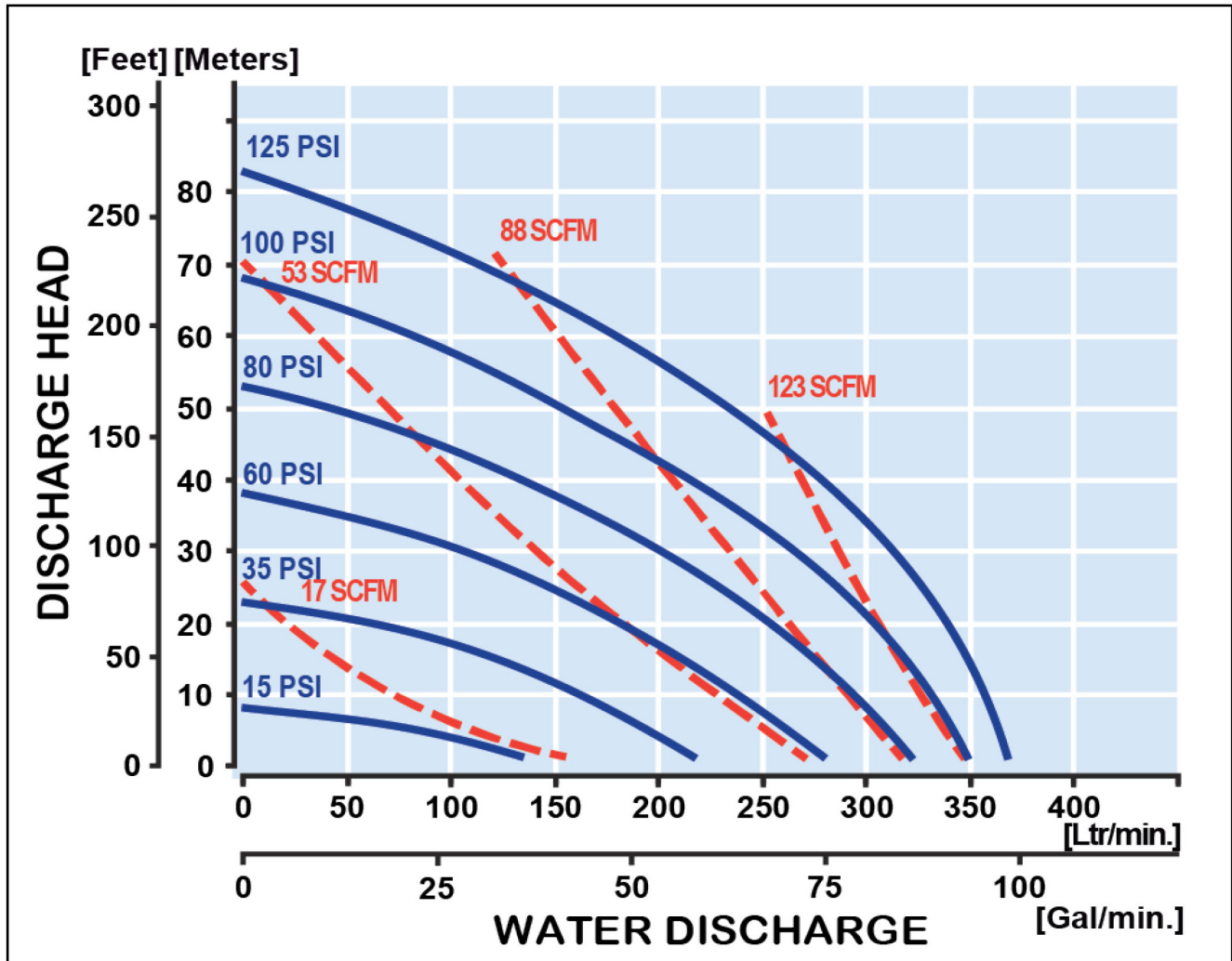
Cast Iron
Dimensions: 16.20"W x 27.72"H
Net Wt.: 97 lbs. (44 kg)
Shipping Wt.: 107 lbs.

Model Number Nomenclature



DP-40 Metal Performance Curve - Rubber

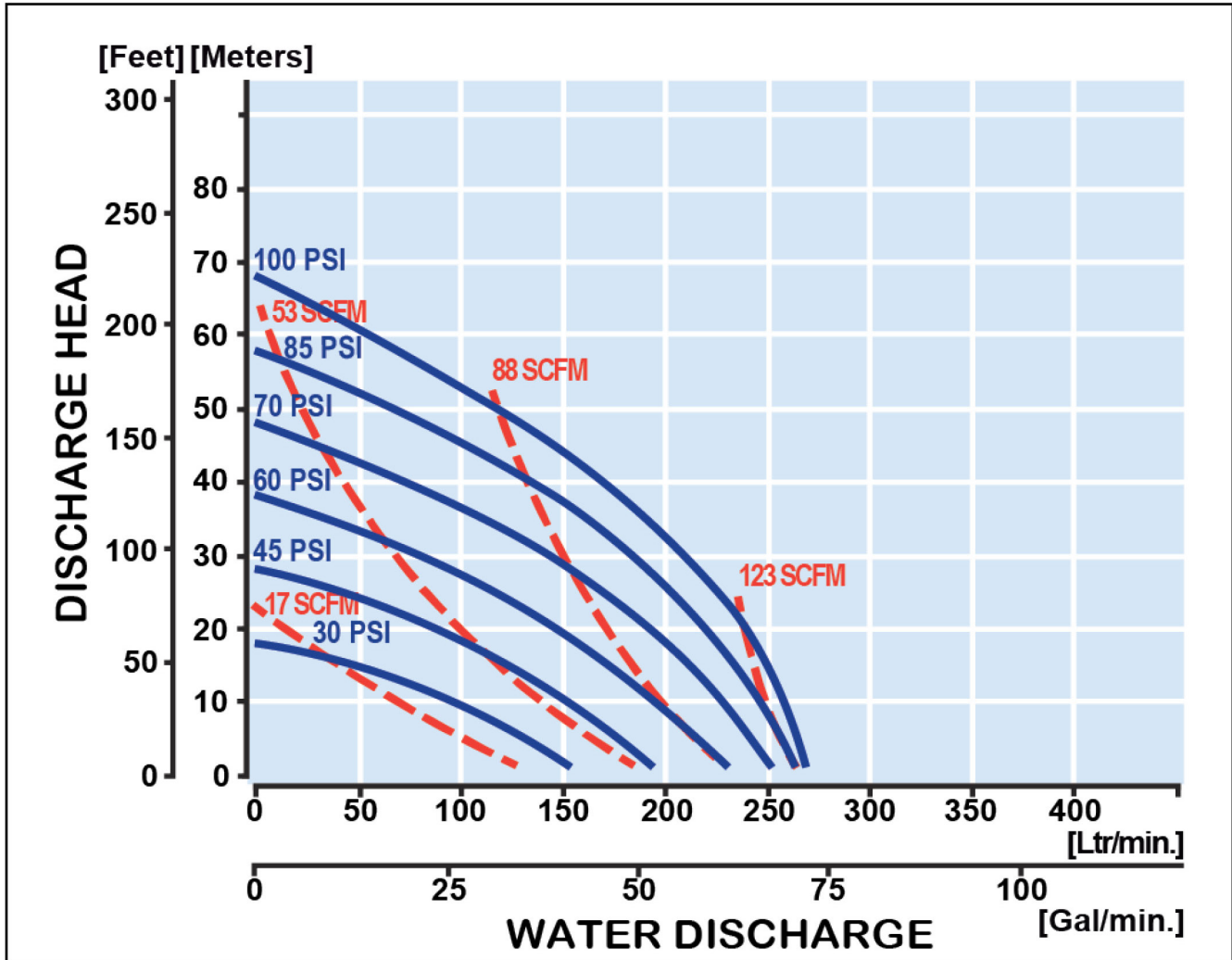
Rubber Diaphragm Performance Curve



To calculate performance for Santoprene® and Hytrel® fitted pumps, use Rubber Diaphragm Curve.

DP-40 Metal Performance Curve - PTFE

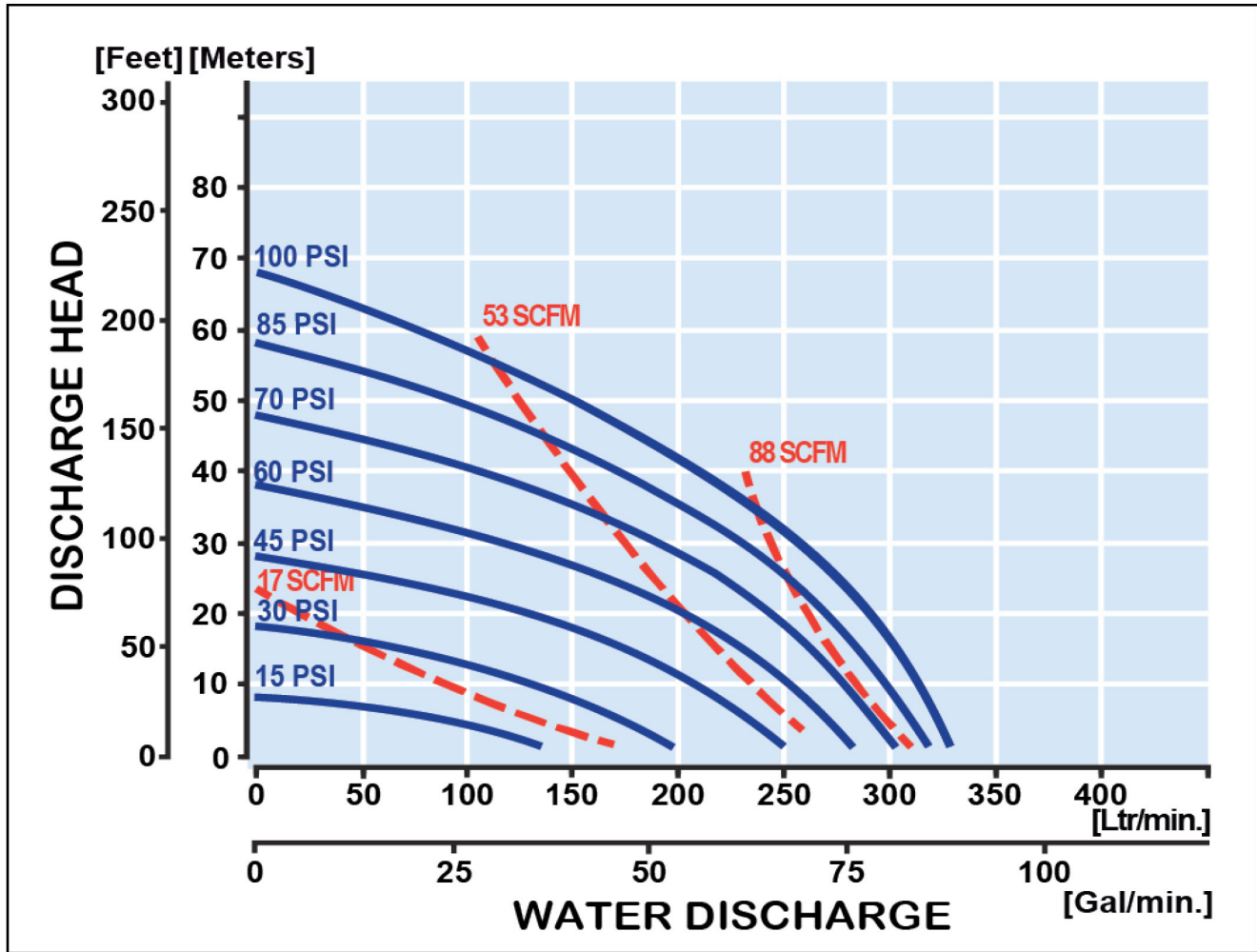
PTFE Diaphragm Performance Curve



To calculate performance for Santoprene® and Hytrel® fitted pumps, use Rubber Diaphragm Curve.

DP-40 Plastic Performance Curve - Rubber

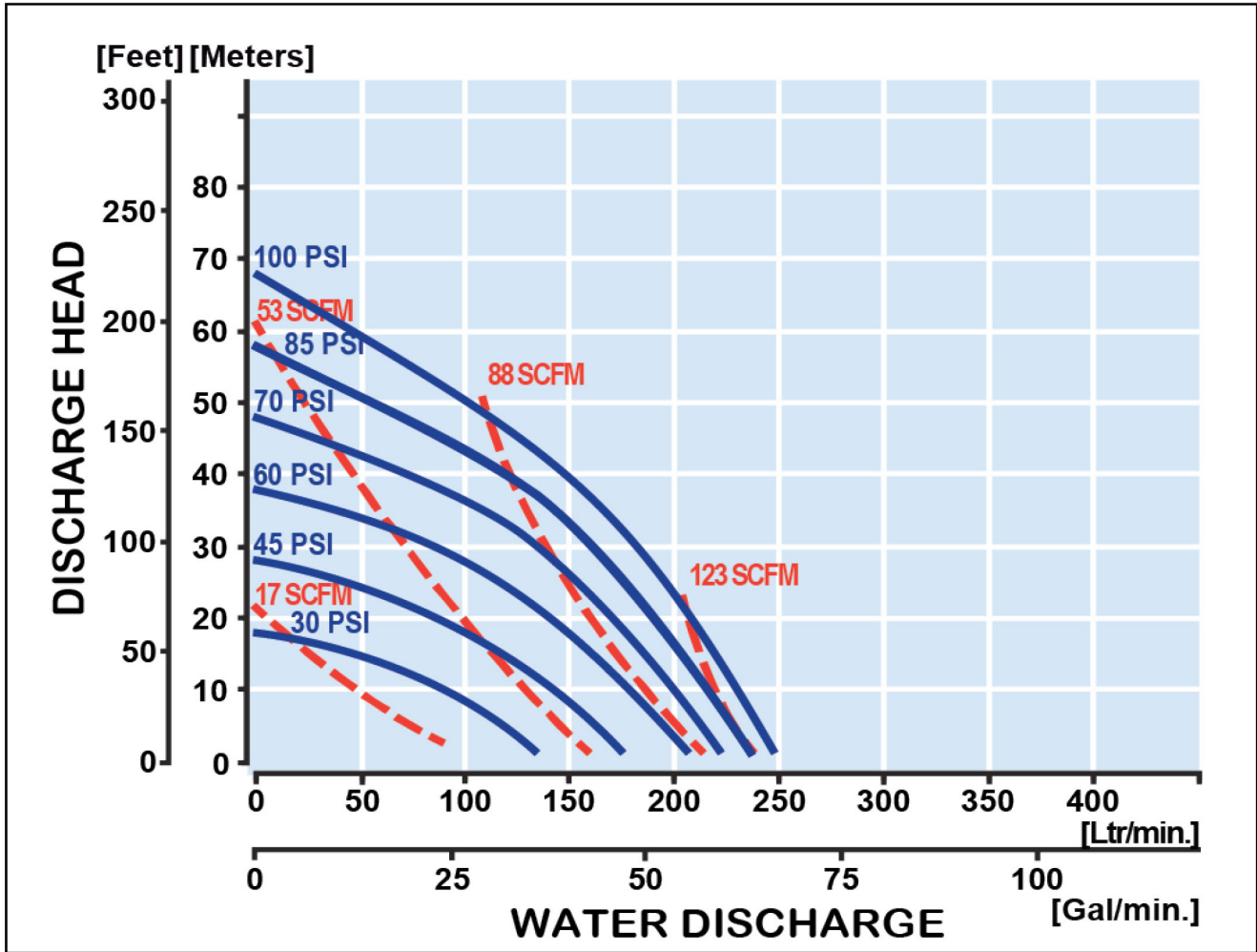
Rubber Diaphragm Performance Curve



To calculate performance for Santoprene® and Hytrel® fitted pumps, use Rubber Diaphragm Curve.

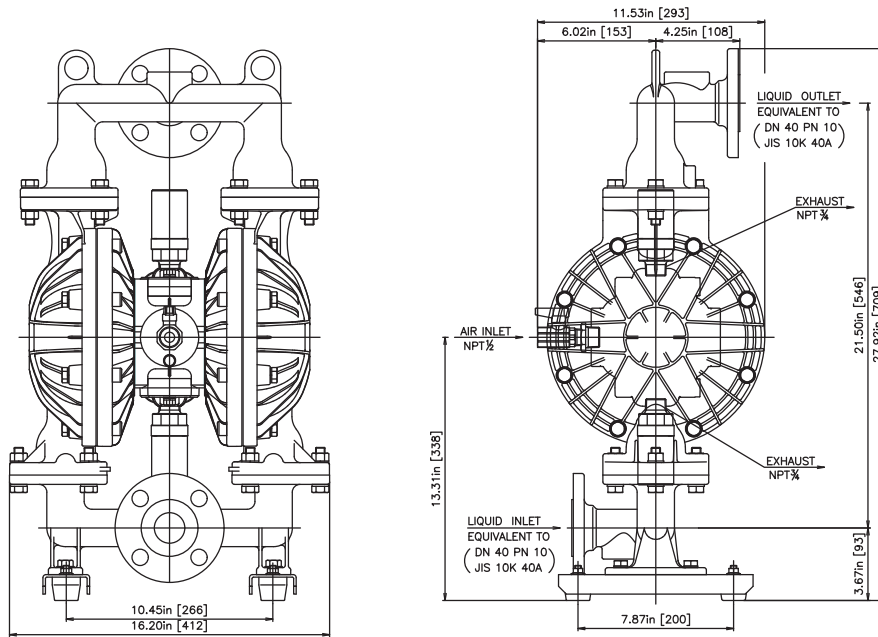
DP-40 Plastic Performance Curve - PTFE

PTFE Diaphragm Performance Curve



To calculate performance for Santoprene® and Hytrel® fitted pumps, use Rubber Diaphragm Curve.

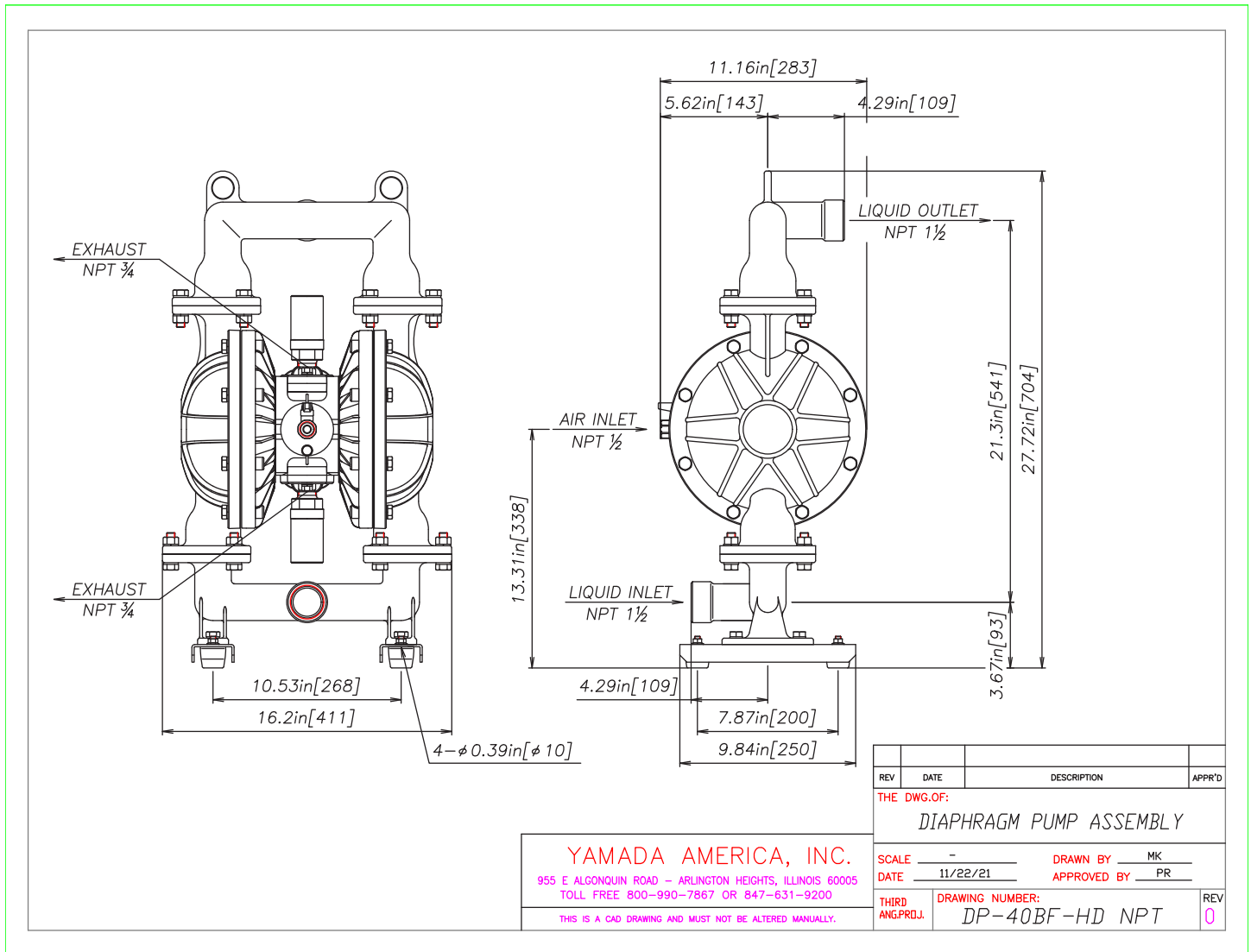
DP-40 Aluminum



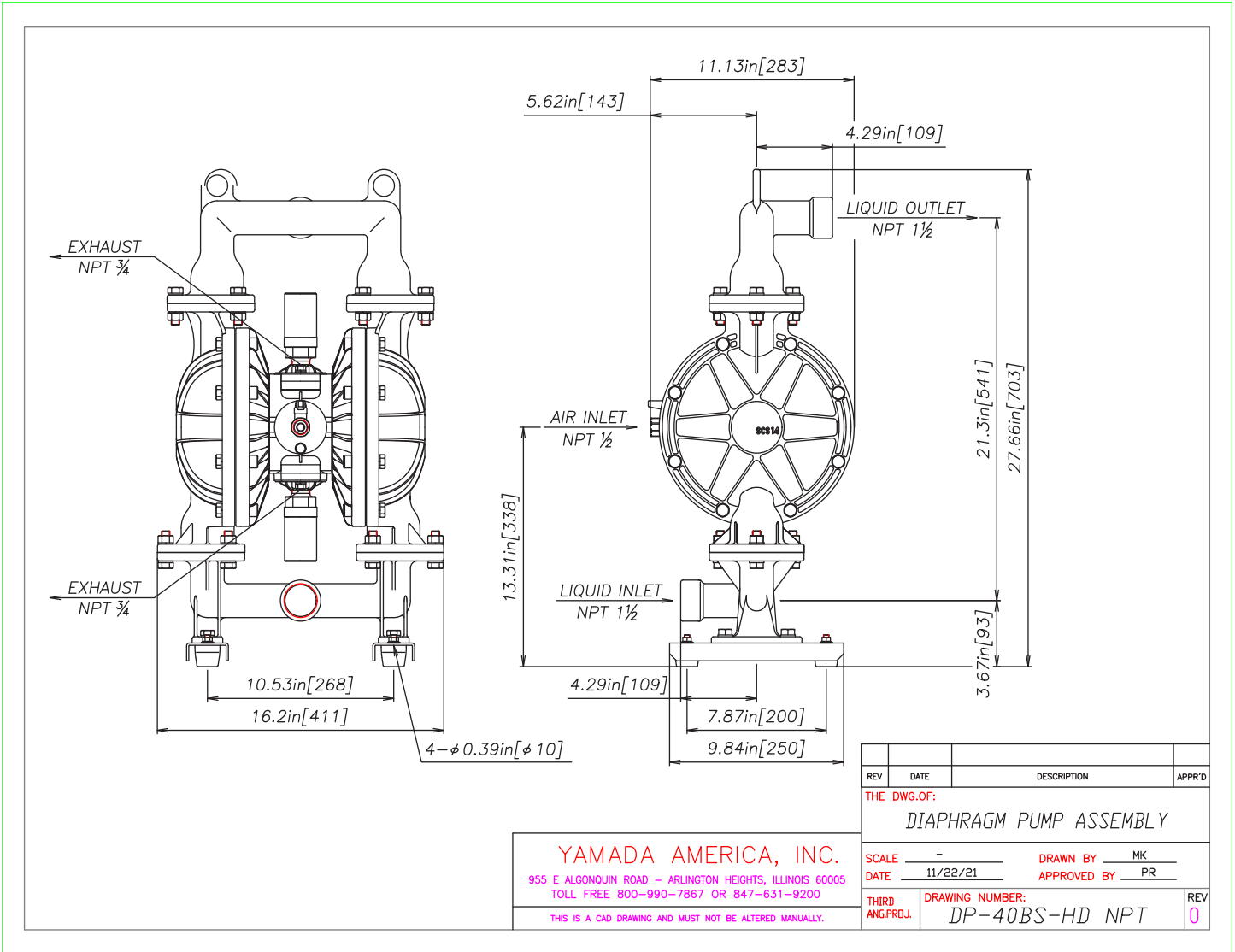
YAMADA AMERICA, INC.
 955 EAST ALGONQUIN RD. - ARLINGTON HEIGHTS, ILLINOIS 60005
 TOLL FREE 800-990-7867 OR 847-631-9200
 THIS IS A CAD DRAWING AND MUST NOT BE ALTERED MANUALLY.

REV	DATE	DESCRIPTION	APPR'D
THE DWG. OF:			
<i>DP-40BA-HD</i>			
SCALE		DRAWN BY MK	
DATE 2/26/2020		APPROVED BY PR	
THIRD ANGRPRDJ	DRAWING NUMBER: <i>DP-40BA-HD</i>		REV 0

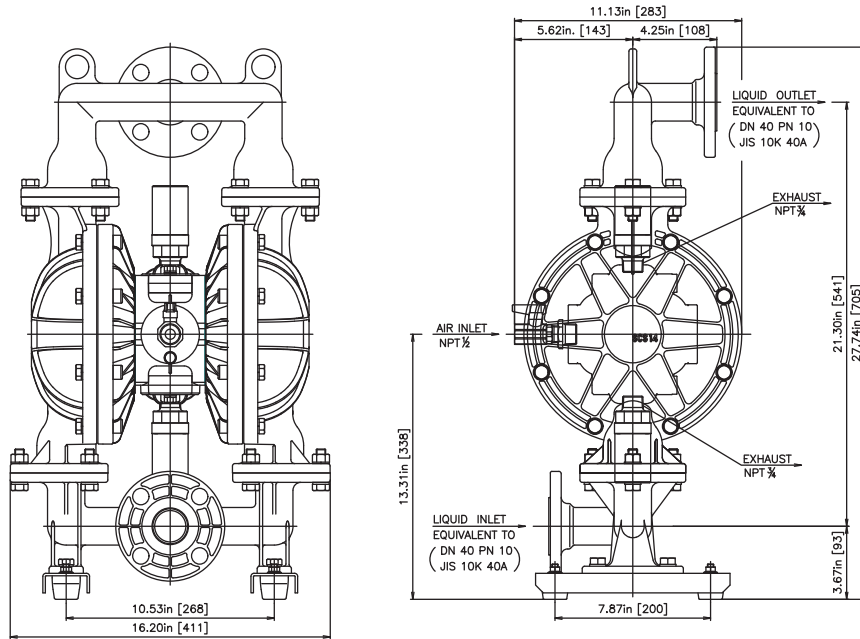
DP-40 Cast Iron



DP-40 Stainless Steel - NPT



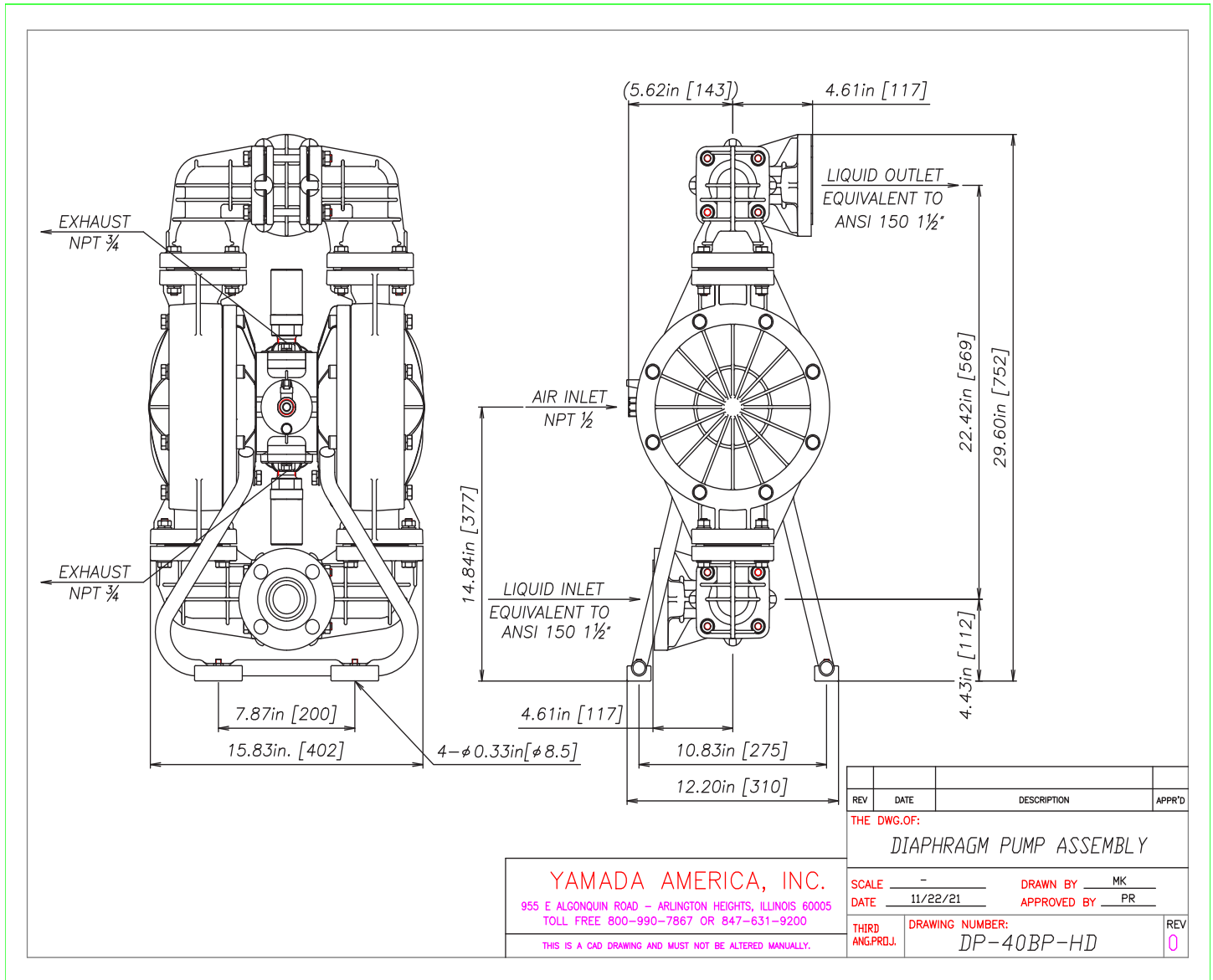
DP-40 Stainless Steel - FLG



REV	DATE	DESCRIPTION	APPR'D
THE DWG.OF:			
DP-40BS-HD			
SCALE -		DRAWN BY MK	
DATE 11/22/21		APPROVED BY PR	
THIRD ANGRD.J.	DRAWING NUMBER: DP-40BS-HD		REV 0

YAMADA AMERICA, INC.
 955 EAST ALGONQUIN RD. - ARLINGTON HEIGHTS, ILLINOIS 60005
 TOLL FREE 800-990-7867 OR 847-631-9200
THIS IS A CAD DRAWING AND MUST NOT BE ALTERED MANUALLY.

DP-40 Polyproylene



AutoCAD® is a registered trademark of Autodesk, Inc.

Hytrel® is a registered trademark of E.I. du Pont de Nemours and Company.

Kynar® is a registered trademark of Arkema.

Nordel™ is a trademark of DuPont Dow Elastomers.

Ryton® is a registered trademark of Chevron Phillips Chemical Company.

Santoprene® is a registered trademark of Advanced Elastomer Systems.

Viton® is a registered trademark of DuPont Performance Elastomers.

Swagelok™ & VCR™ are trademarks of the Swagelok Companies.

Flaretek® is a registered trademark of Entegris.

Garlock ONE-UP® is a registered trademark of W.L. Gore & Associates.

Yamada® is a registered trademark of Yamada America, Inc.

SolidPRO Designed to Pump Fluids Containing Solids® is a registered trademark of Yamada America, Inc.

Xtreme Duty Pro XDP® is a registered trademark of Yamada America, Inc.

The Proof's in the Pump® is a registered trademark of Yamada America, Inc.

The Proof is in the Pump® is a registered trademark of Yamada America, Inc.

Engineered to Perform. Designed to Outlast.® is a registered trademark of Yamada America, Inc.

Due to Yamada's continued commitment to product improvement, specifications may change without notice.