

EXPLODED VIEW & PARTS LISTING

Air Operated Double Diaphragm Pump

Model: DP-15BPU
Model #: 853720-U



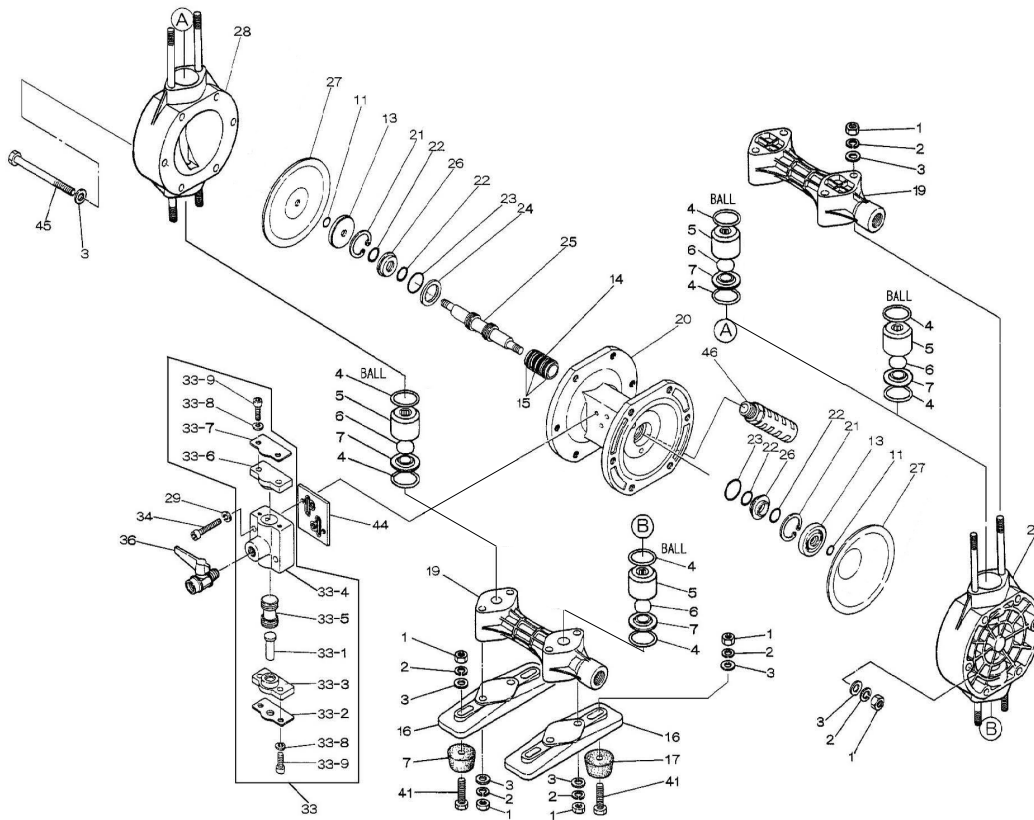
To Purchase:

- ☎ 800-990-7867
- ✉ sales@yamadapump.com
- 📍 Find My Rep

More Information:

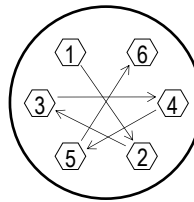
- ▶ YouTube: @yamadapump
- 🌐 yamadapump.com
- Data Sheets | CAD Drawings | Manuals Literature | BOM | Performance Curves

Trial Program



Air Operated Double Diaphragm Pump

REF. No.	PART No.	DESCRIPTION	QTY.	REORDER
1	687229	NUT	8	
2	681300	SPRING WASHER	20	
3	631329	PLAIN WASHER	20	
4	643027	O RING	8	
5	771806	BALL GUIDE	4	
6B	771524	BALL	4	
7	780162	VALVE SEAT	4	
13	020109	CENTER DISK	2	
14	714678	SLEEVE	1	
15	684900	O RING	4	
16	771352	BASE	2	
17	770551	RUBBER FOOT	4	
19	780190	MANIFOLD	2	
20	715107	BODY	1	
21	630807	RETAINING RING	2	
22	684284	PACKING	4	
23	640131	O RING	2	
24	772651	SPACER	1	
25	021785	CENTER ROD	1	
26	772619	GUIDE BUSHING	2	
27	833027	DIAPHRAGM	2	
28	780119	OUT CHAMBER	2	
29	681855	SPRING WASHER	2	
33	804505	VALVE BODY ASSY	1	
33- 1	706798	RESET BUTTON	1	
33- 2	710587	PLATE A	1	
33- 3	771357	SPOOL END COVER	1	
33- 4	710853	SPOOL CASE	1	
33- 5	801404	SPOOL ASSY	1	
33- 6	771356	SPOOL COVER	1	
33- 7	710636	PLATE B	1	
33- 8	681855	SPRING WASHER	4	
33- 9	682943	BOLT	4	
34	682918	BOLT	2	
36	686826	VALVE	1	
40	682276	FLANGED NUT	4	
41	611152	BOLT	4	
44	771358	GASKET	1	
45	621160	BOLT	12	
46	682520	MUFFLER	1	
KIT	K15-PU-B	LIQUID END KIT		
KIT	K115-AM	AIR MOTOR KIT		



Tightening torque:
Out Chambers
Manifold Retainer Bolts

105 in-lbf {12 N-m}
105 in-lbf {12 N-m}

General Tools:

- Socket wrench - 13mm
- Hexagonal box wrenches - 5mm
- Open-end wrench - 21mm
- Snap ring pliers

Miscellaneous:

- Assembly Oil - Turbine oil - Class 1 (equivalent to ISO VGA32 grade)
- Urea grease grade (NLGI) No. 2

Customer Notes

Model #: _____
 Description: _____
 Serial #: _____
 Date Installed: _____
 Department Location: _____
 Tag/Project: _____