

EXPLODED VIEW & PARTS LISTING

Air Operated Double Diaphragm Pump

Model: NDP-15BSU

Model #: 851961-U



To Purchase:

☎ 800-990-7867

✉ sales@yamadapump.com

📍 Find My Rep

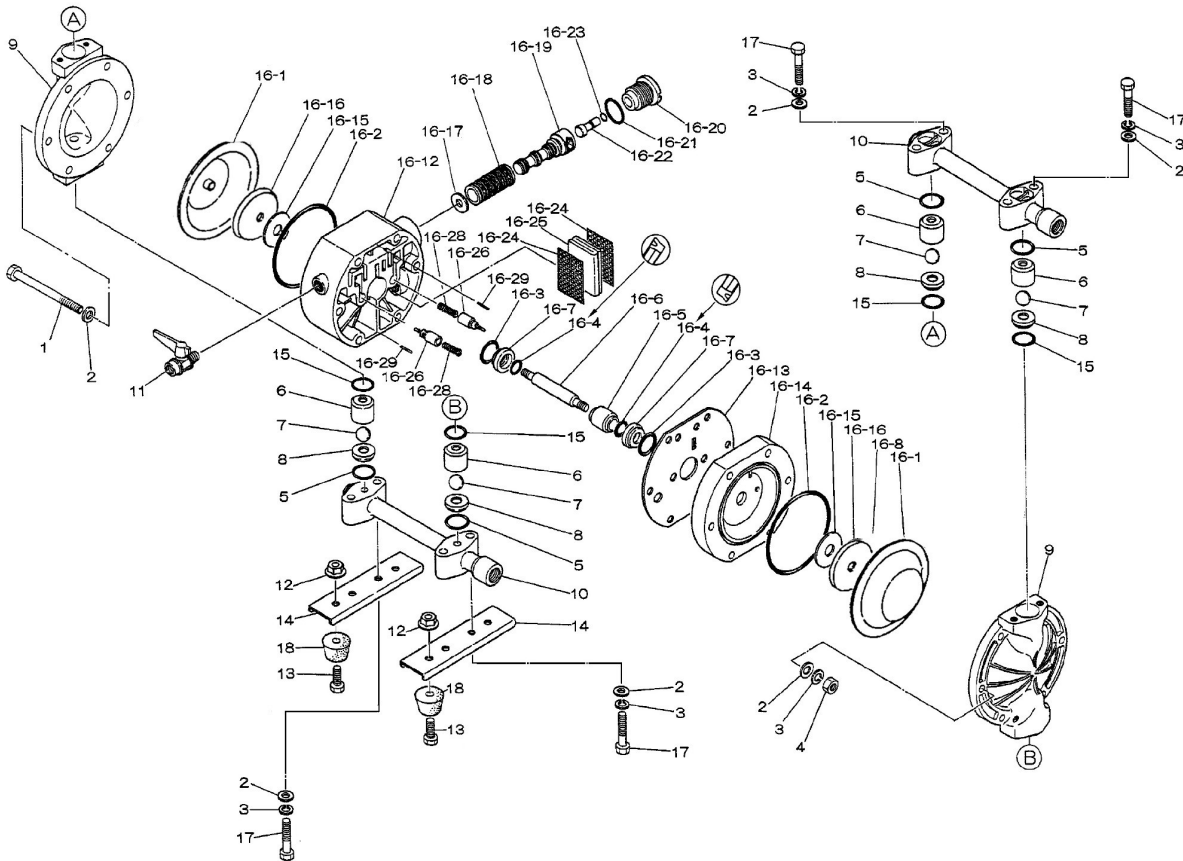
More Information:

▶ YouTube: @yamadapump

🌐 yamadapump.com

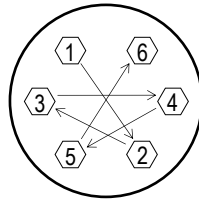
Data Sheets | CAD Drawings | Manuals
Literature | BOM | Performance Curves

Trial Program



Air Operated Double Diaphragm Pump

REF.No.	PART No.	DESCRIPTION	QTY.	REORDER
1	683224	BOLT	6	
2	631329	PLAIN WASHER	20	
3	681300	SPRING WASHER	14	
4	628012	NUT	6	
5	643025	O RING	4	
6	711502	BALL GUIDE	4	
7	773125	BALL	4	
8	711382	VALVE SEAT	4	
9	711380	OUT CHAMBER	2	
10	711506	MANIFOLD	2	
11	686826	VALVE	1	
12	682817	FLANGED NUT	4	
13	621101	BOLT	4	
14	717185	BASE	2	
15	643130	O RING	4	
16	802986	BODY ASSY	1	
16- 1	833027	DIAPHRAGM	2	
16- 2	640144	O RING	2	
16- 3	640020	O RING	2	
16- 4	684284	PACKING	2	
16- 5	771337	GUIDE	1	
16- 6	021161	CENTER ROD	1	
16- 7	771336	BUSHING	2	
16- 8	643005	O RING	4	
16-10	681849	NUT	2	
16-11	684916	CONED DISC SPRING	2	
16-12	780029	BODY A	1	
16-13	771347	GASKET	1	
16-14	780030	BODY B	1	
16-15	771342	CUSHION	2	
16-16	020109	CENTER DISK	2	
16-17	771483	CUSHION	1	
16-18	804249	SLEEVE ASSY	1	
16-18-*1	683123	O-RING (SLEEVE O.D.)	6	
16-19	802835	C SPOOL ASSY	1	
16-19 seal	771484	SEAL RING	5	
16-20	771695	CAP	1	
16-21	640022	O RING	1	
16-22	771350	RESET BUTTON	1	
16-23	640002	O RING	1	
16-24	771589	MESH	2	
16-25	771465	MUFFLER FELT	1	
16-26	832141	PILOT VALVE ASSY	2	
16-28	710577	SPRING	2	
16-29	632752	SPRING PIN	2	
17	621155	BOLT	8	
18	771123	RUBBER FOOT	4	
KIT	K15-MU	LIQUID END KIT		
KIT	K115-AM	AIR MOTOR KIT		



Tightening torque for out chambers.
Out Chambers 105 in-lbf {12 N-m}

Tightening torque for manifold retainer bolts or nuts.
BSU 105 in-lbf {12 N-m}

General Tools:

- Socket wrench - 13mm
- Open-end wrenches - 13mm, 21mm
- Plyer

Special Tools (sold separately):

- Sleeve remover (713148)
- Cap & disk remover (771132)

Miscellaneous:

- Assembly Oil - turbine oil none additional class 1 (equivalent to ISO VG32 grade)
- Urea grease grade (NLGI) No. 2

Customer Notes

Model #: _____
 Description: _____
 Serial #: _____
 Date Installed: _____
 Department Location: _____
 Tag/Project: _____